

# SKYRA<sup>®</sup> SKYSTATION

*the* NEW WAY  
TO BUFFET

Vol. VI





## TABLE OF CONTENTS

---

About Us	4
Chef Collaboration Platform	10
Skyra Original Design	12
The Skystation	14
How It Works	18
The Modularity	20
The Cooking Stations	24
Nesting Tables	44
Buffet Trolleys	46
Accessories	48
Warranty and Claims	68

# A LEGACY OF EXCELLENCE

THIS IS OUR DNA

## A 60 YEAR OLD REVOLUTION

It's a long time, 60 years. With people, it's a balding third generation. With cars, they have become classics. technology that old, has become museum artifacts, possibly unusable and at best, evoke nostalgia. Our evolution, has been quite on the contrary. We started with silver-plating sports trophies, to now manufacturing a wide range of trend-setting lifestyle consumer goods. Our products have grown younger and younger over these decades. Well, we can possibly say that even after 60 years, we are almost brand new!

## 1962

The Stalwart Co. founded by Mr. Rajinder Paul Khosla for silverplating of sport trophies.



## 1971

Transformed into a OEM exporter of luxury gift and home silverplate products.



## 1993

USA Division launched with showroom at 230 5th Ave, NY City and warehouse in Long Island NY



## 2007

Stainless Steel manufacturing facility OEM to Luxury Tableware brands

## 2013

Launch of Skyra Professional Tableware



## 2021

Launch of Sky Station Modular Live Action Stations





## ORIGINAL EQUIPMENT MANUFACTURING

For over half a century, Skyra prides itself in successfully executing absolutely high quality projects with the best standards. By consistently challenging ourselves with ground breaking forms, finishes and techniques. The organization is equipped to assist in design, rapid prototyping, high-speed CNC tooling, fabrication and deep draw manufacturing and also the widest library of finishes in the industry.

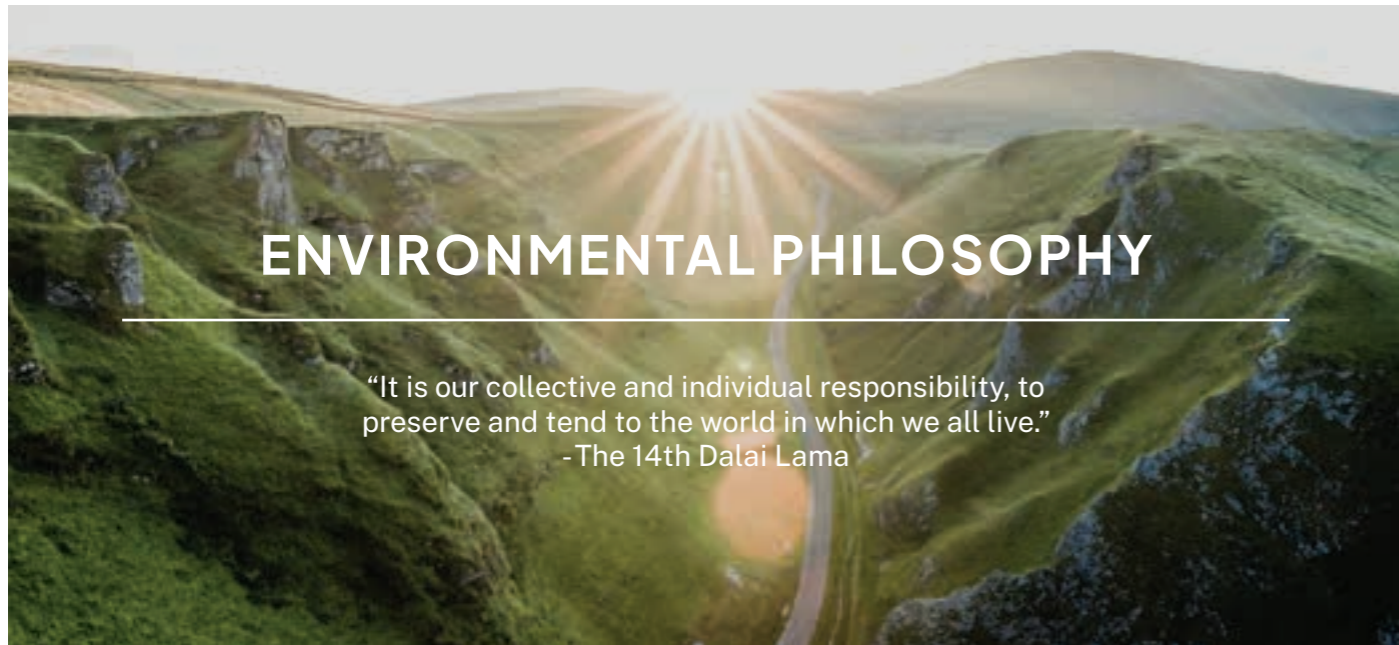


## OUR QUALITY, OUR PRIDE

The Skyra brand is globally established for the highest quality products in the world. Our manufacturing plant is located in the automotive manufacturing belt of India. By following best practices, Skyra proposes the highest quality product at a value price offering. We want to create a safer and a more luxurious dining experience for everyone.

## OUR MISSION

Our mission is to create serving systems that can elevate the taste of food and make it safer for the entire world to consume.



## ENVIRONMENTAL PHILOSOPHY

“It is our collective and individual responsibility, to preserve and tend to the world in which we all live.”  
- The 14th Dalai Lama

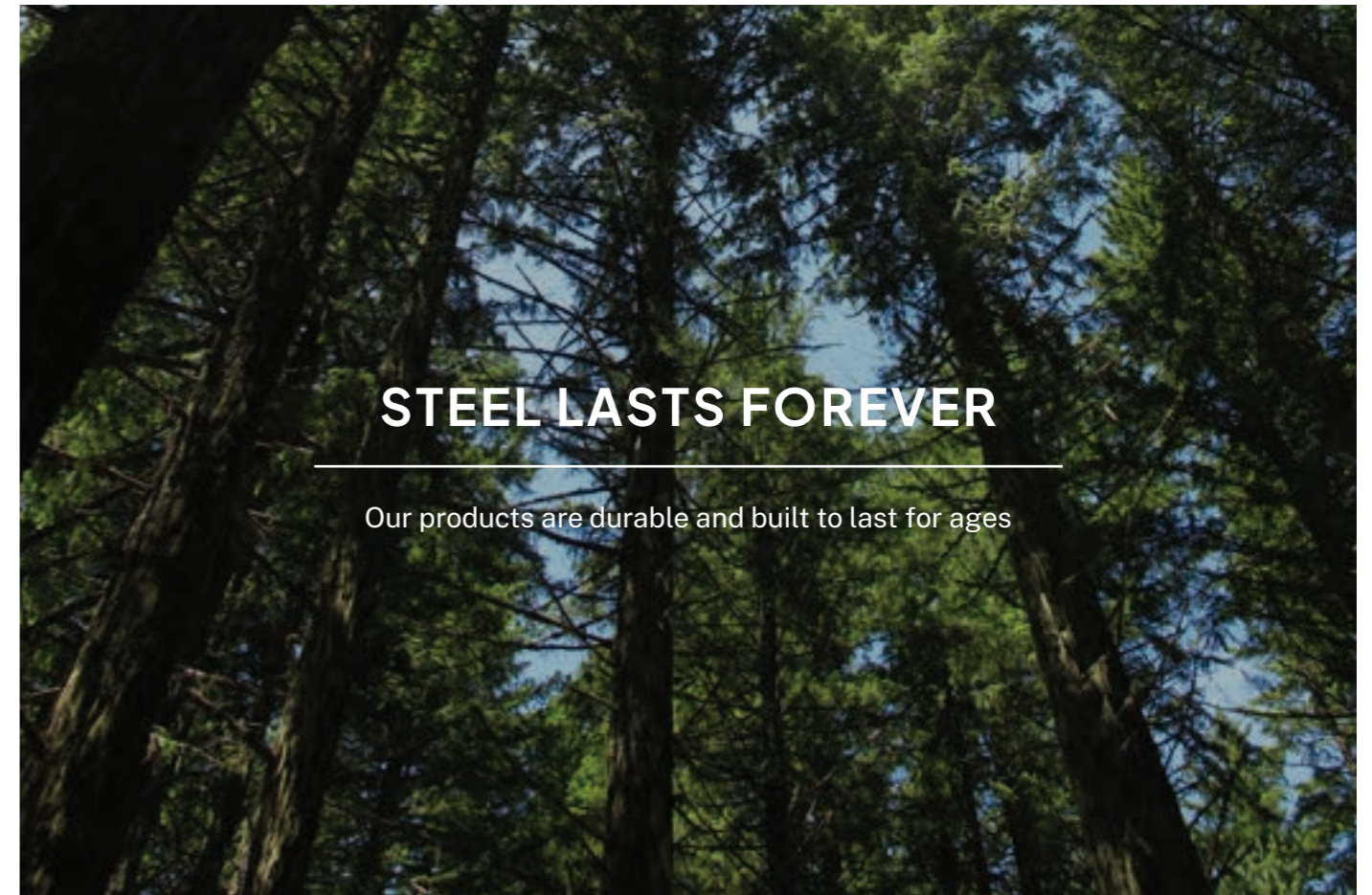


### PRODUCTS

Skyra food serving products are aimed at replacing plastic disposables in the event industry. Further, the products are manufactured in heavy gauge, rolled edges and laser welded joints for higher durability. This enables the finished products to replace one-time use items, and sustain 20-50% longer than the competitors.

### RESOURCES

Skyra is pleased to plan their new factory in line with a GOLD certification from LEEDS. This marks the first green factory in the group. It is in line with the company vision to make all factories green by 2025.



## STEEL LASTS FOREVER

Our products are durable and built to last for ages



### RAW MATERIALS

Using recycled raw materials, consumables and packaging, the average per unit carbon footprint has been cut down by 33% over the last decade.

### MANUFACTURING

The 60 year old tradition of electroplating has been replaced with a state-of-the-art Pressure Vapour Deposition coating plant. Not only is the PVD coating evolutionary in every way, but it is also a zero pollution process.

# FOR THE SHARED LOVE OF FOOD!

Helping food taste better is our passion

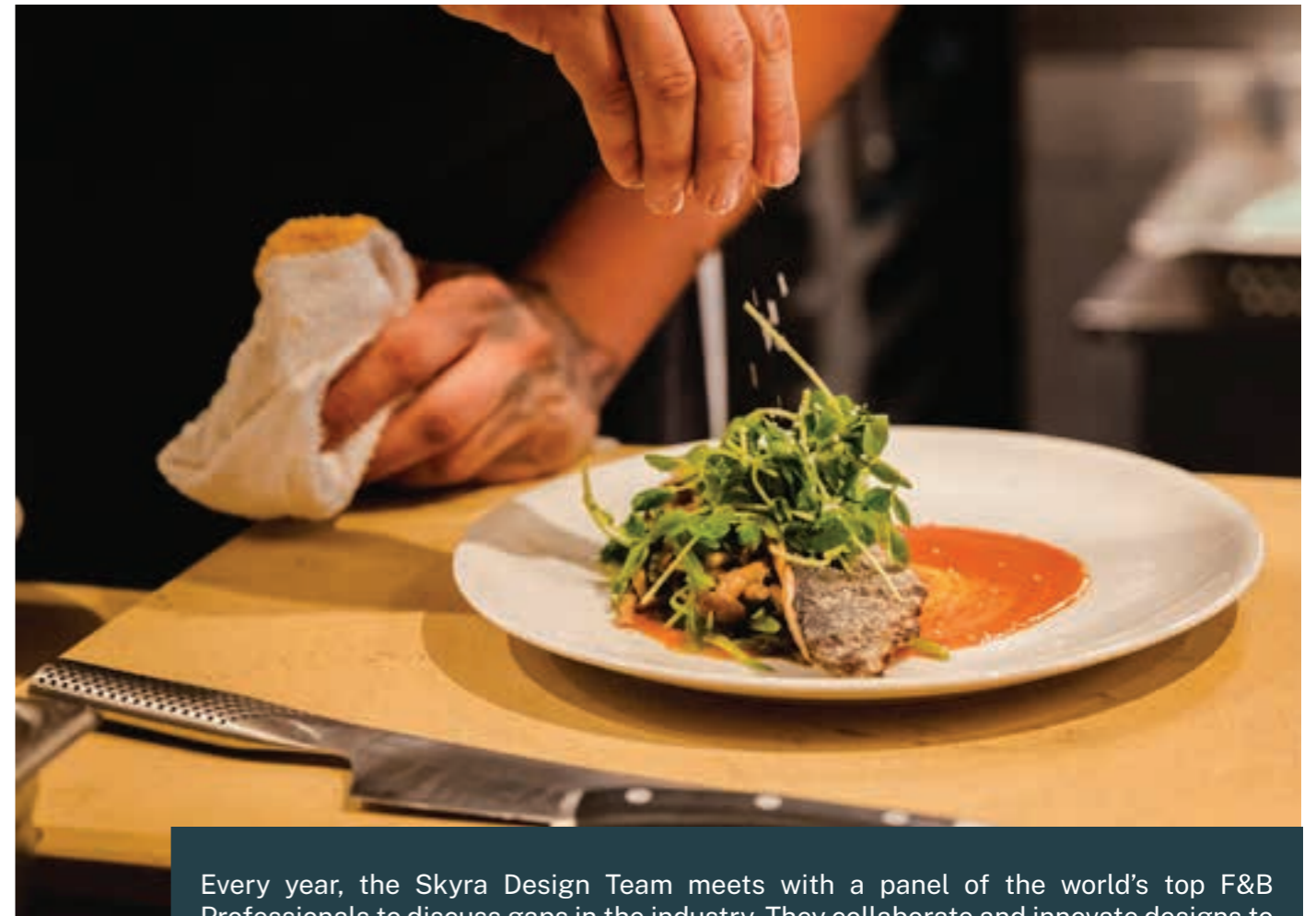


Scan this QR code  
to connect with us

# SKYRA<sup>®</sup>

Design + Innovation

## OUR CHEF PASSION PLATFORM



Every year, the Skyra Design Team meets with a panel of the world's top F&B Professionals to discuss gaps in the industry. They collaborate and innovate designs to launch over a 100 new cutting edge products.

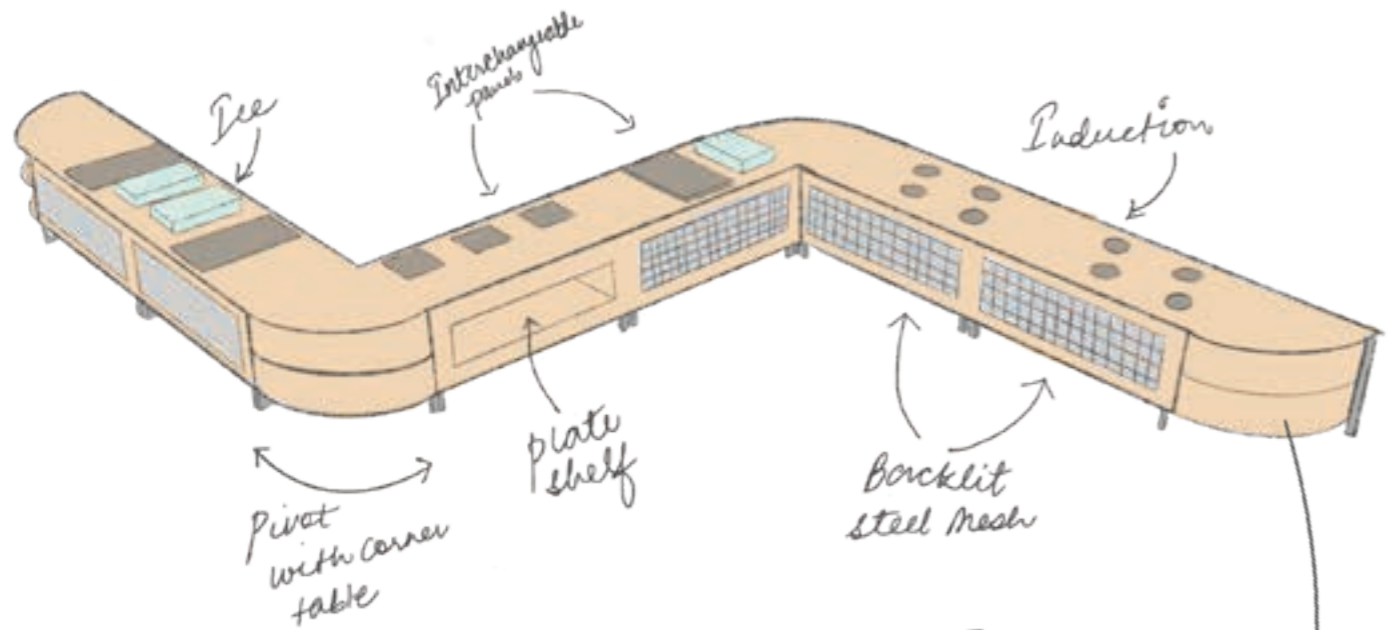
If your passion is food, you are invited to join the Skyra Chef Passion Platform. Together, we will drive our mission : To serve the world with tastier + safer food.

# SKYRA®

## Original Design

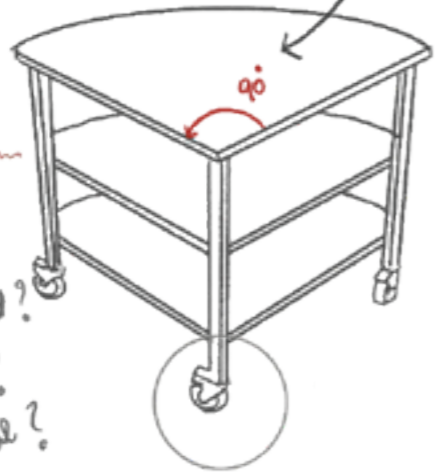
Durable  
Folding  
Modular

6 folded frames occupy equal space to 1 unfolding frame



Skystation is the New way to buffet. It is theatrical and engaging. The diner can interact directly with the chef. With the Skystation buffet will evolve beyond other styles of dining. Not only do we want to raise the presentation of cooking to front house, we want to take it to centre stage. The Skystation will transform cooking to next level.

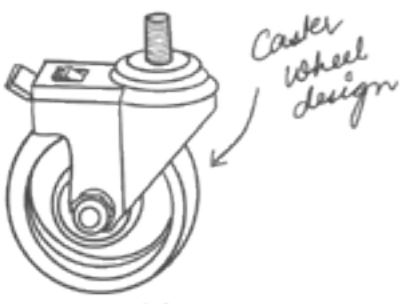
Corner folding Table



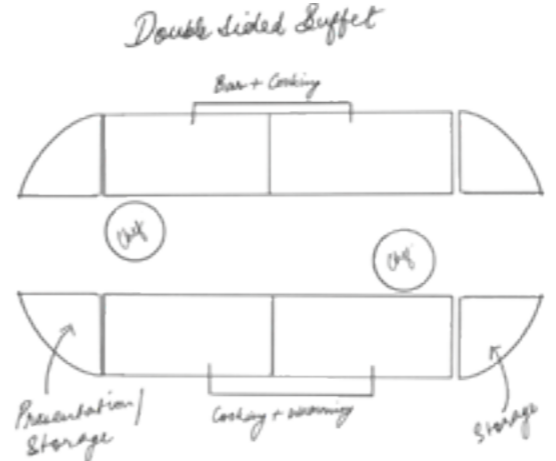
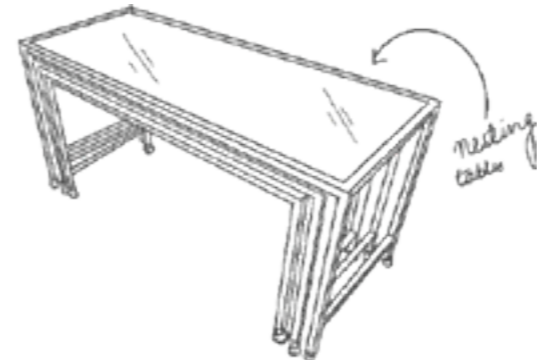
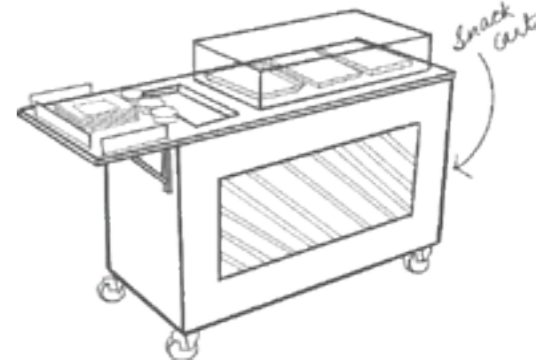
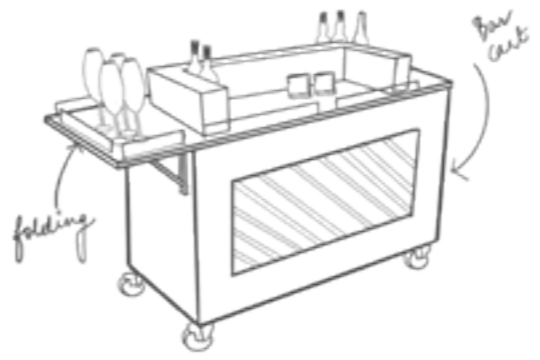
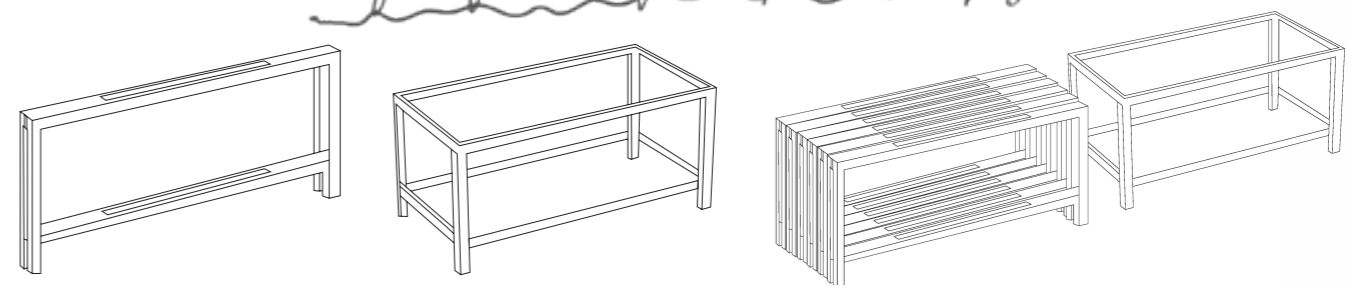
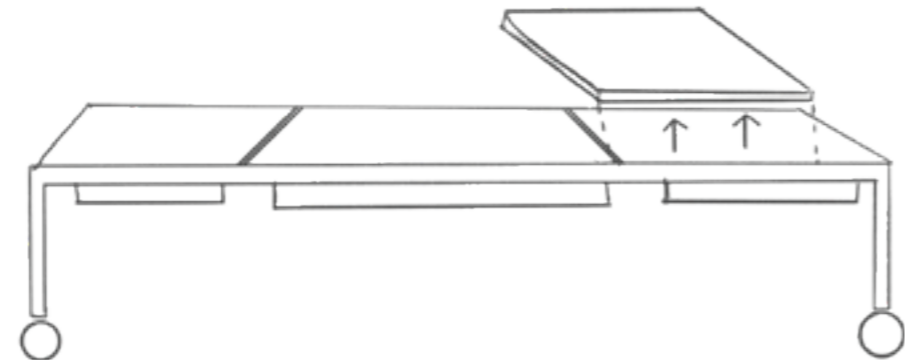
Concealed?  
Visible?  
Optional?

Customisable  
HPL ✓  
Stone ✓

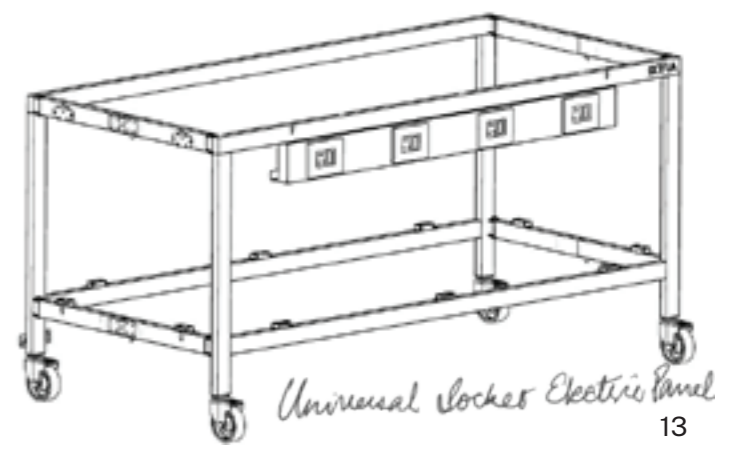
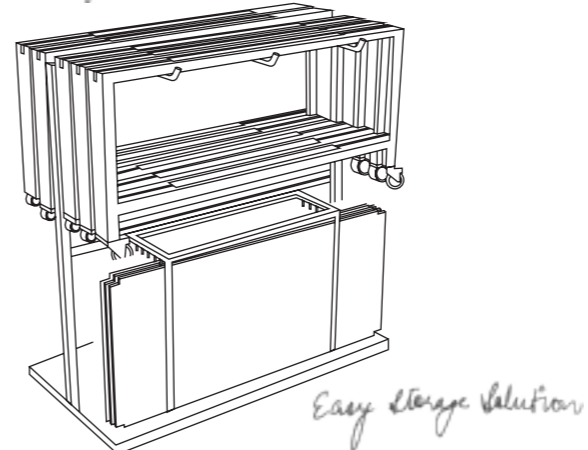
Easy to remove panel



Loaded weight min. 100kg



The design is elegant, build quality is tough & finish is beautiful. It's interchangeable modular tiles will allow for every type of cuisine. At the end of the event, The Skystation will fold away easily and compactly. After all, the value is in the presentation but the savings are in the logistics.



# INTRODUCING THE SKYSTATION

A MODULAR & COLLAPSIBLE LIVE ACTION STATION

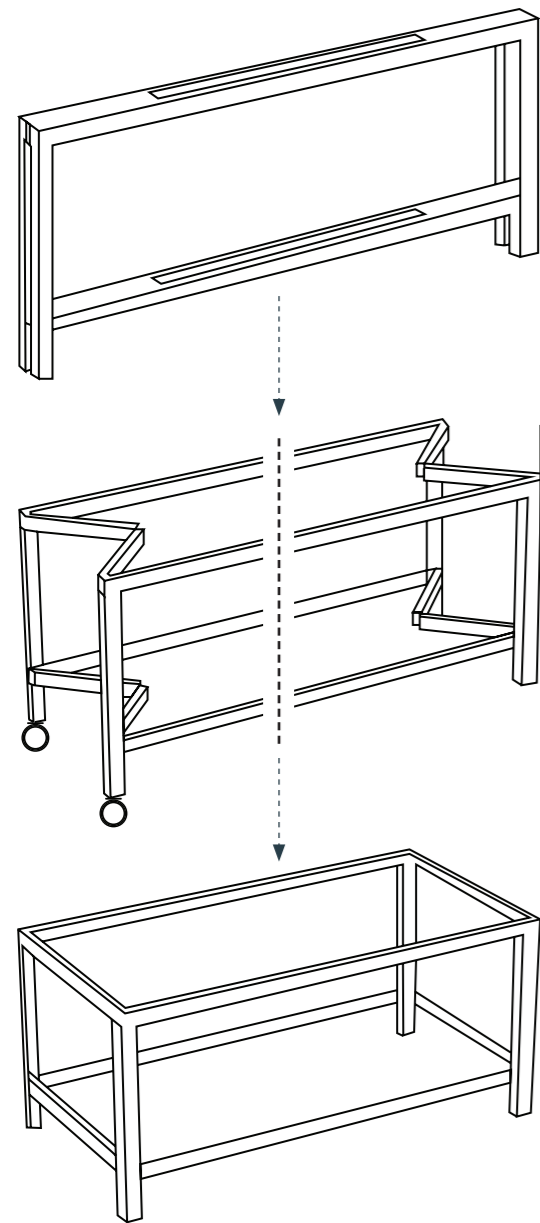


In Frame : Warming Induction Module + Cooking Module Combination



# HOW DOES THE SKYSTATION WORK?

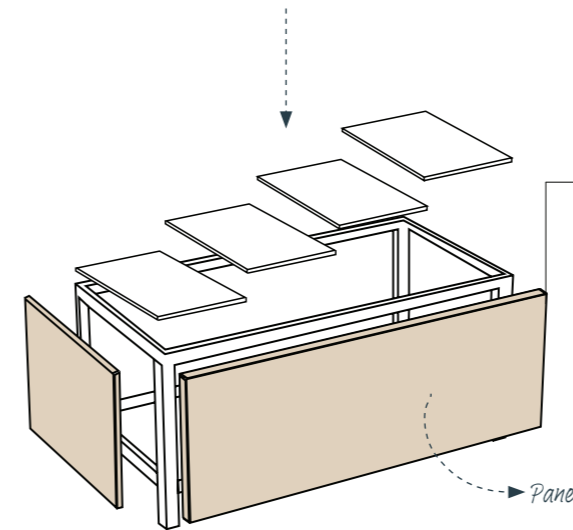
A step-by-step guide



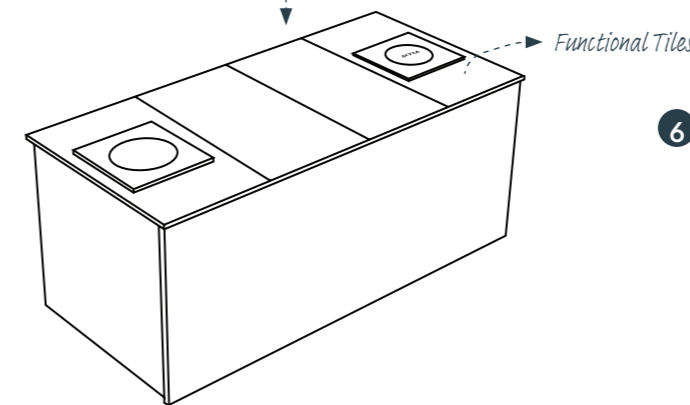
- 1 Flat packaging for easy transportation  
*Fast and easy installation*
- 2 Foldable joints to swiftly open the station  
*Optional caster frames available*
- 3 And just like that, the base is now set up!  
*Customisable with add-on panels*



- 4 Mount the Electric Strip on the frame  
*Mounted on the back side*

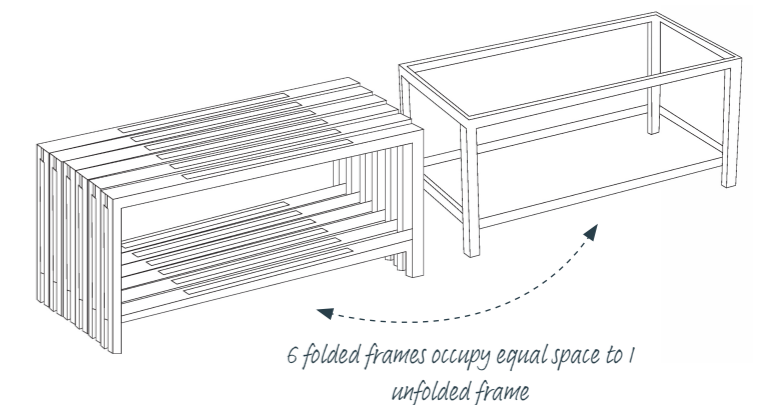
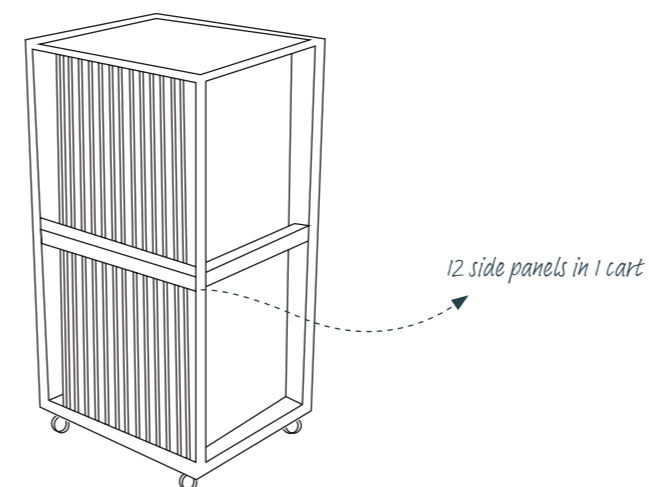
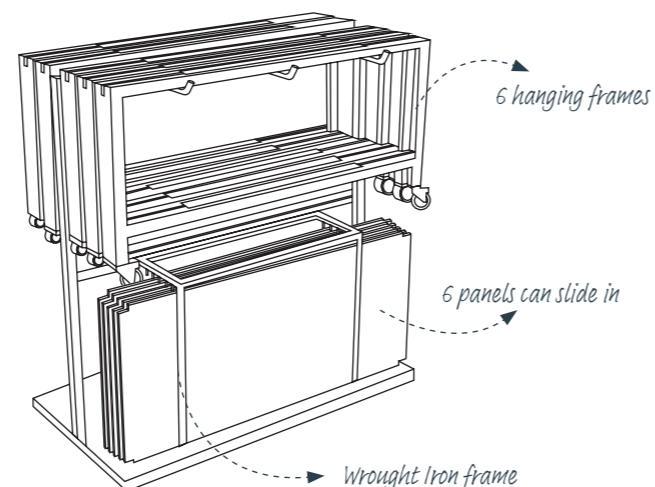
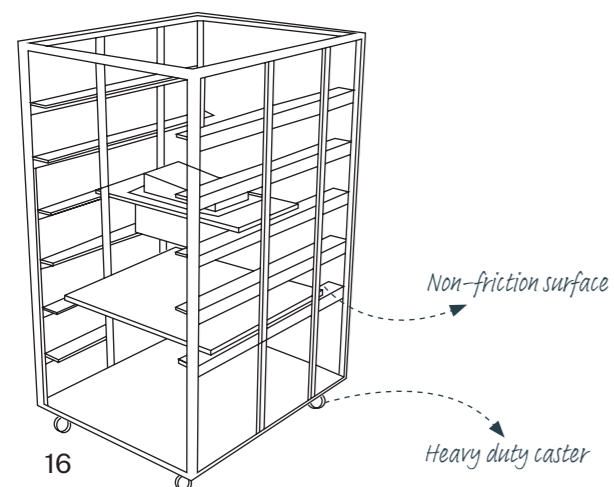


- 5 Easy attach system to mount panels on the frame  
*Panels are mounted on 3 sides of the frame*



- 6 Choose the Functions, Materials and Colors of your choice. You are all set to experience the Skystation.  
*Four functional tiles are placed on top of the frame. The frames and tiles can be interchanged to change the aesthetic and function of the Skystation*

# STORING THE SKYSTATION

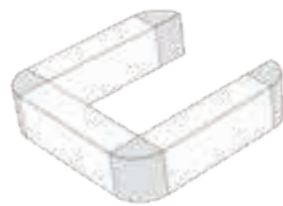




INTERCHANGE THE  
MODULES TO ADAPT  
TO THE MENU.



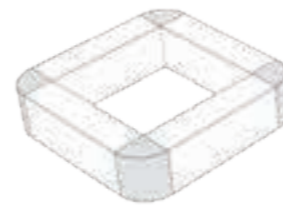
'S' Presentation



'U' Presentation



Linear Presentation



Loop Presentation



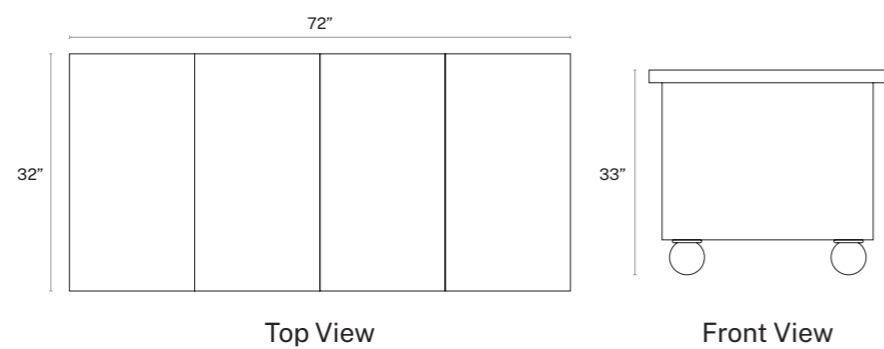
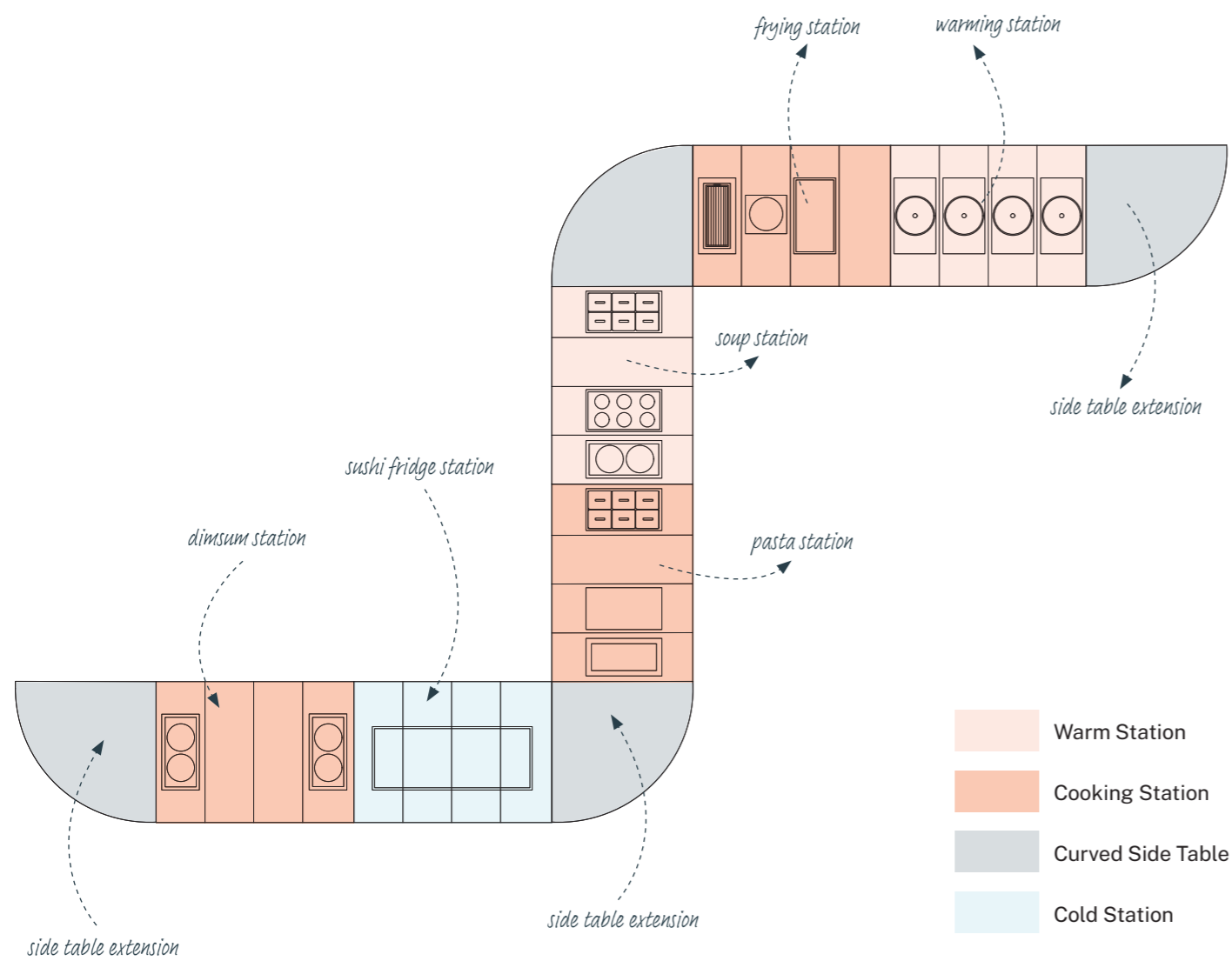
'L' Presentation

Curved Side Table

Linear Table

# THE MODULARITY DO MORE, ALL AT ONCE

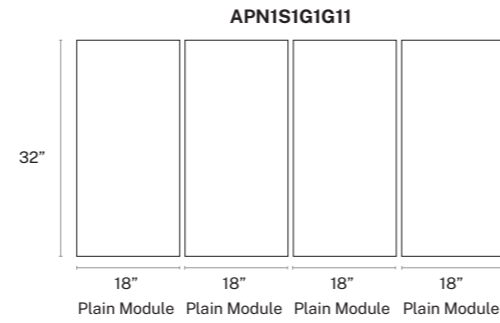
A range of utility appliance tiles are available. Choose from cuisine based pre-set tile configurations or pick your own 4 tiles to configure the functionality of each Skystation.



In Frame : Dimsum Module

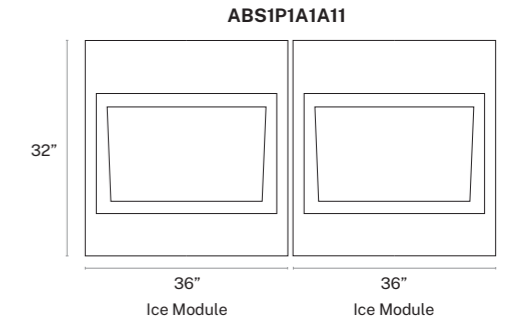
# COLD STATIONS

## Plain

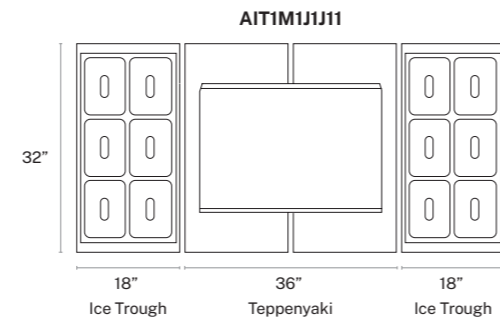


# COLD STATIONS

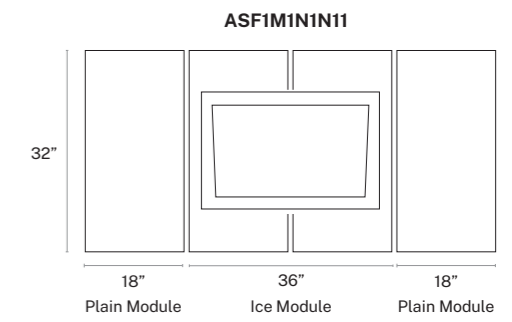
## Seafood



## Ice Teppenyaki



## Bar



## Accessories



Trays  
Details on page 48



Risers  
Details on page 60



Lid Holders  
Details on page 56



Chalkboard  
Details on page 61

## Accessories



Fuel Chafers  
Details on page 53



Samovars  
Details on page 51



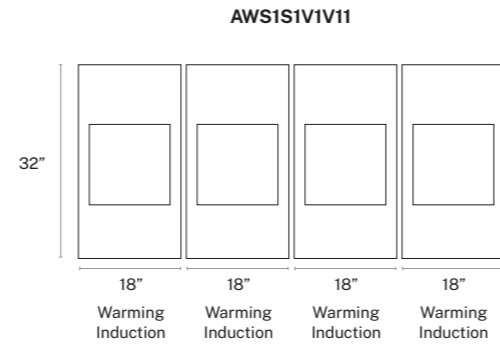
Bowls  
Details on page 65



Tongs  
Details on page 58

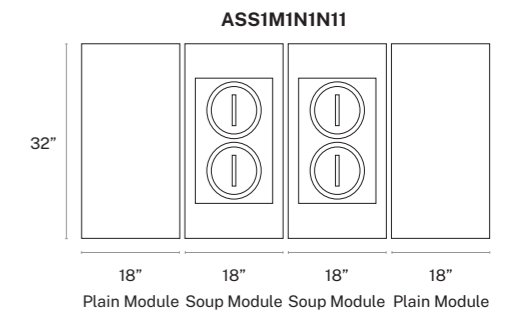
# WARMING STATIONS

## Warming Induction

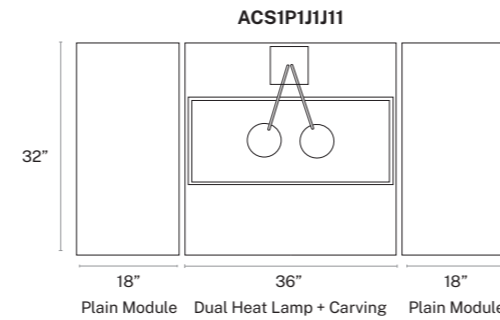


# WARMING STATIONS

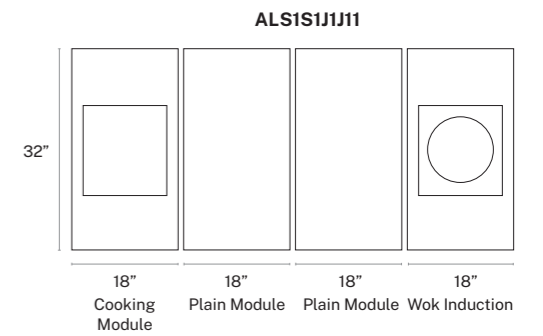
## Soup



## Carving Station



## Live Cooking



## Accessories



Induction Chafers  
Details on page 54



Tongs  
Details on page 58



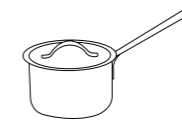
Lid Holders  
Details on page 56



Chalkboard  
Details on page 61



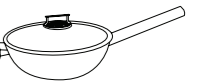
Platter  
Details on page 59



Minis  
Details on page 58



Bowls  
Details on page 65



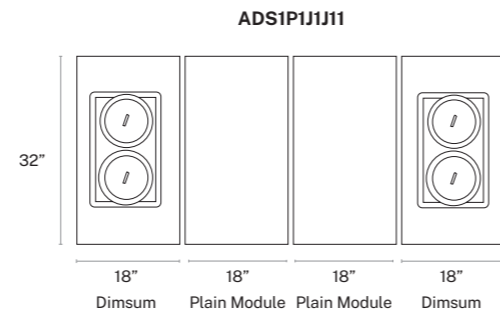
Wok  
Details on page 56



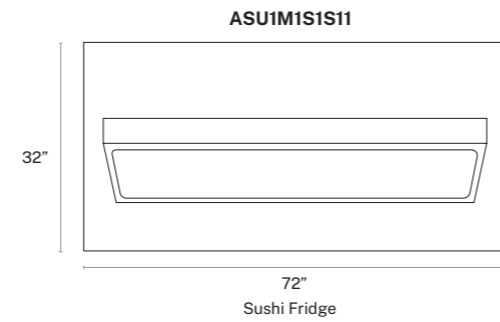
In Frame : Warming Induction Module + Cooking Module Combination

# ASIAN STATIONS

## Dimsum



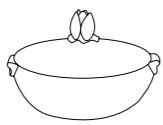
## Sushi



## Accessories



Shanghai  
Details on page 56



Zahara  
Details on page 52



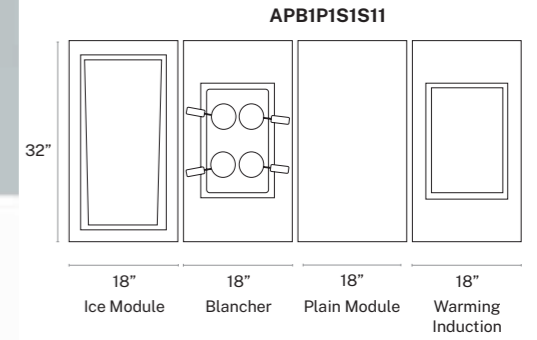
Wynwood  
Details on page 53



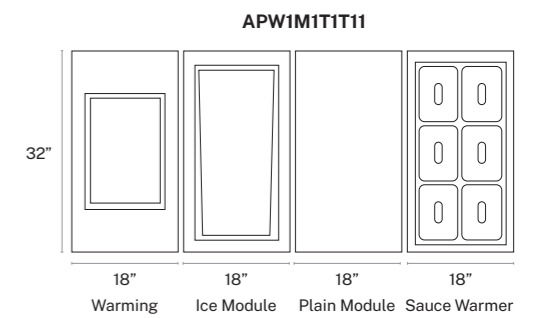
Spoon Rest  
Details on page 58

# PASTA/NOODLE STATIONS

## Blancher



## Sauce Warmer



## Accessories



Risers  
Details on page 60



Tongs  
Details on page 58



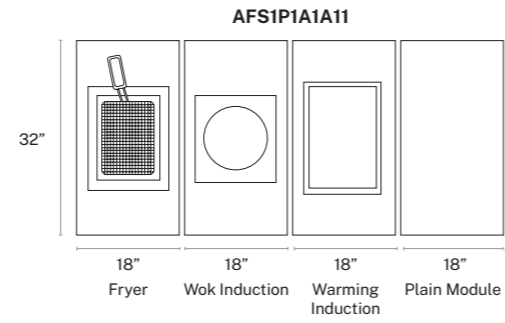
Lid Holders  
Details on page 56



Bowls  
Details on page

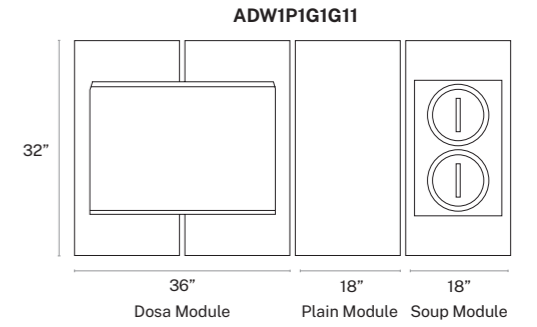
# HOT STATIONS

## Fryer

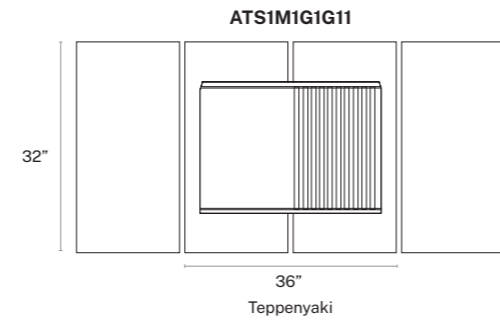


# ETHNIC STATIONS

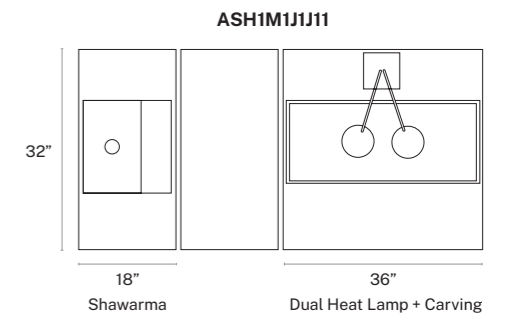
## Dosa



## Teppenyaki



## Shawarma



### Accessories



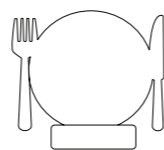
Trays  
Details on page 48



Tongs  
Details on page 58



Spoon Rest  
Details on page 58



Chalkboard  
Details on page 61



Platter  
Details on page 59



Minis  
Details on page 58



Bowls  
Details on page 65



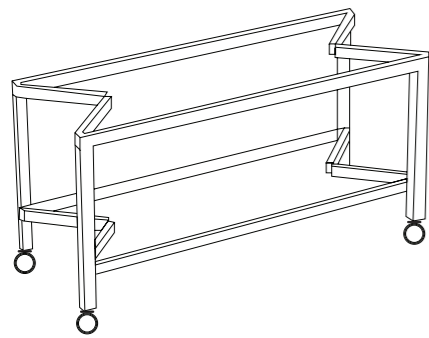
Baskets  
Details on page 65



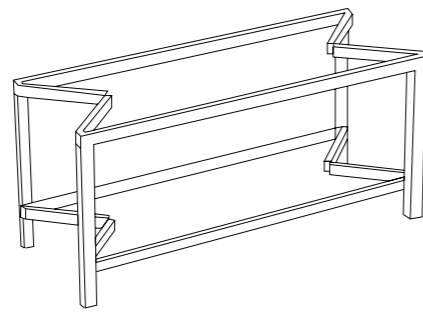
# DESIGN YOUR OWN SKYSTATION

A step-by-step guide

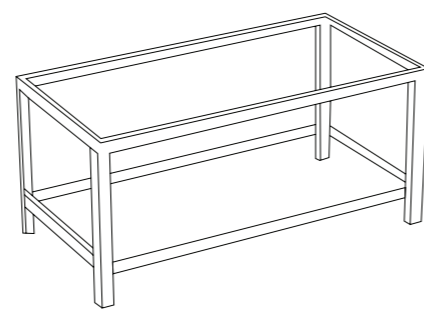
## Step 1 Choose your frame



1 With Casters

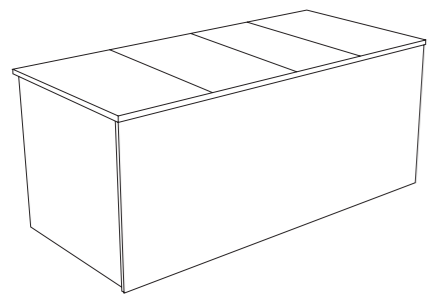


2 Without Casters

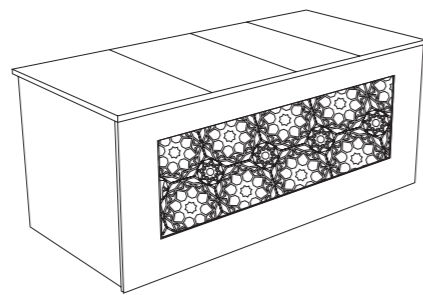


3 Hidden Casters  
(non foldable)

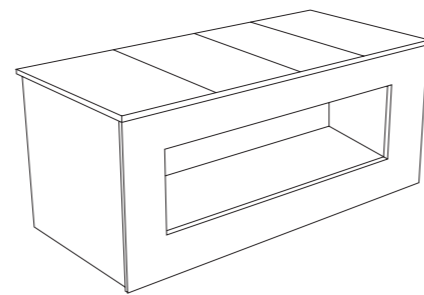
## Step 2 Choose your front panel



1 Plain



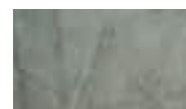
2 Customised Grill



3 Storage Shelf

## Step 3 Choose your laminate

Available finishes:



Grey



Pine



Slate



Oak



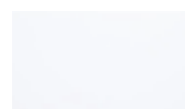
Marble



Solid Black

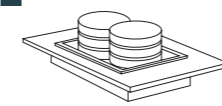


Charcoal

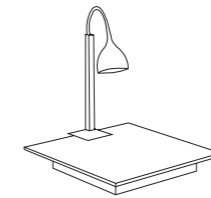


White

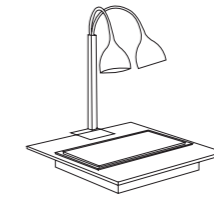
## Step 4 Choose your function



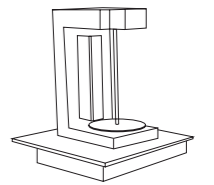
1/4 Dimsum Module  
Power: 2.5kW  
Temperature: 300 °C



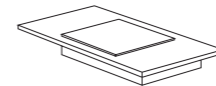
1/2 Single Heat Lamp  
Power: 250 W



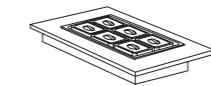
1/2 Dual Heat Lamp + Carving Module  
Power: 250 W x2



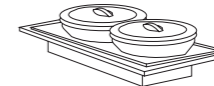
1/2 Shawarma Module  
Power: 240 W



1/4 Cooking Module  
Power: 3.5kW



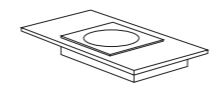
1/4 Sauce Warmer Module  
Power: 2.5kW  
Temperature: 300 °C



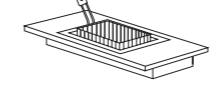
1/4 Soup Module  
Power: 2.5kW  
Temperature: 300 °C



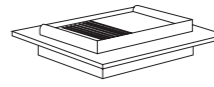
1/2 Dosa Module  
Power: 3kW  
Temperature: 110 °C



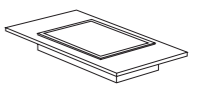
1/4 Wok Induction Module  
Power: 3.5kW



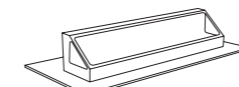
1/4 Fryer Module  
Power: 2.5kW  
Temperature: 50-300 °C



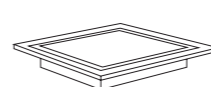
1/2 Griddle Module  
Power: 3kW  
Temperature: 110 °C



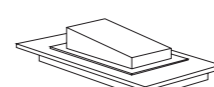
1/4 Warming Induction Module  
Power: 1kW



1 Sushi Fridge  
Power: 0.5kW  
Temperature: 0-4 °C



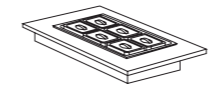
1/2 Ice Teppenyaki Module  
Power: 800W  
Temperature: -25 °C



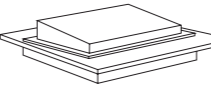
1/4 Ice Module  
Acrylic Basket



1/4 Pasta Blancher  
Power: 2.5kW  
Temperature: 300 °C



1/4 Ice Trough Module  
Power: 0.5kW  
Temperature: 0-4 °C

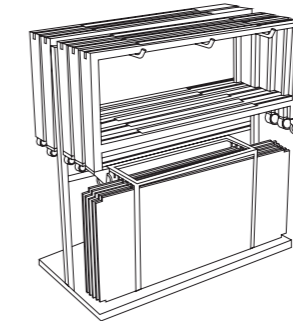


1/2 Ice Module  
Acrylic Basket

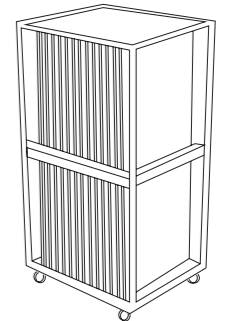
## Step 5 Choose your storage



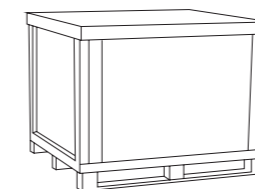
1 Equipment Storage Cart  
37 L x 48 W x 77 H



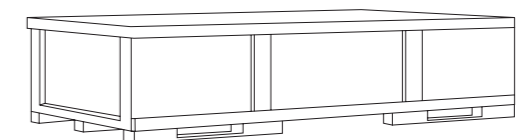
2 Frame & Panels Storage Cart  
70 L x 37 W x 69 H



3 Side Panel Storage Cart  
31 L x 37 W x 67 H



4 Equipment Box



5 Frame, Panels & Cart Box

BAROQUE  
THEME



CLASSIC  
THEME



POOLSIDE  
THEME



ART DECO  
THEME



MODERN  
THEME



# NESTING TABLES



Brushed Copper PVD Finish Set of 3  
**BT15004CPVD**  
 Frame : Copper  
 Top : Transparent Glass



Brushed Gold PVD Finish Set of 3  
**BT15004GPVD**  
 Frame : Gold  
 Top : Transparent Glass



Brushed Steel Finish Set of 3  
**BT15004141**  
 Frame : Stainless Steel  
 Top : Transparent Glass

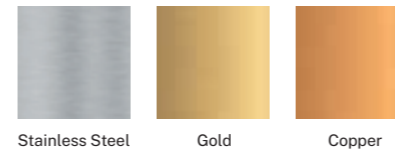


Brushed Steel Finish Set of 3  
**BT15005141**  
 Frame : Stainless Steel  
 Top : Wood

## Material Guide

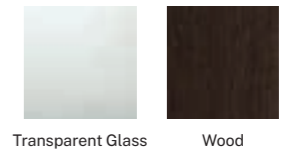
### Frame

Available finishes:



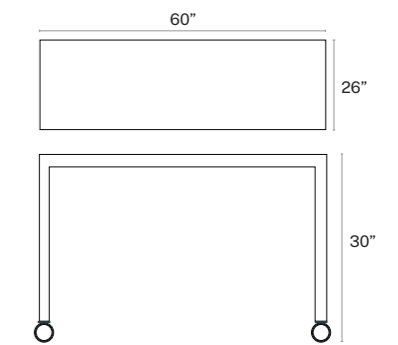
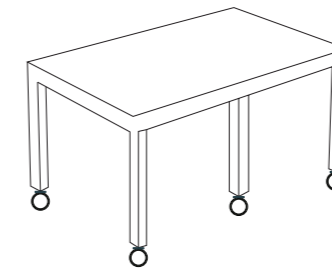
### Top

Available finishes:

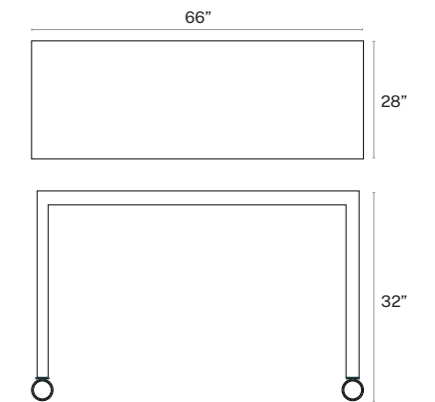
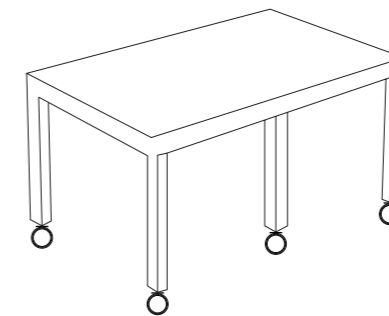


## Size Guide

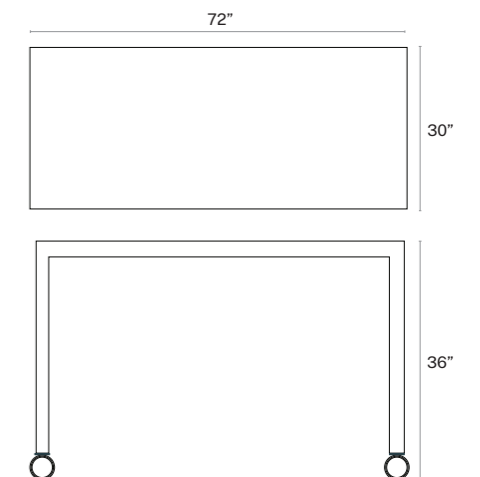
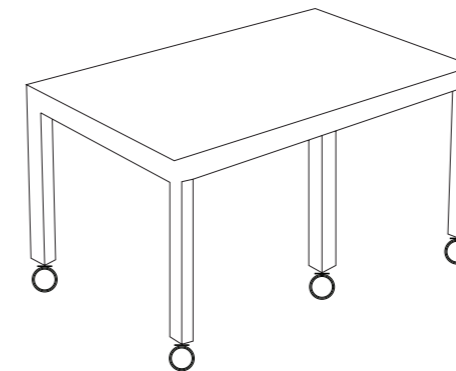
Small Nesting Table



Medium Nesting Table



Large Nesting Table



# BUFFET TROLLEYS



In Frame : Food Warming Trolley



In Frame : Bar Trolley

Bar Trolley



Front



Back

Food Warming Trolley



Front



Back

Live Cooking Trolley

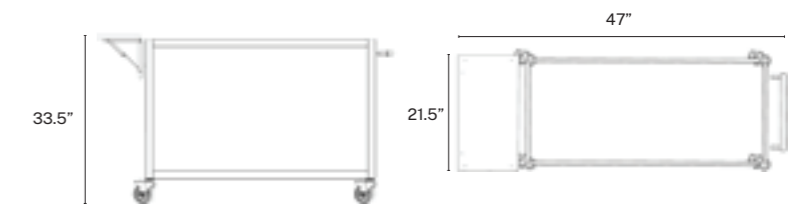


Front



Back

## BUFFET TROLLEYS



### Technical Specification

Table	Dimensions LxWxH	Accessories
Bar	47" x 21.5" x 33.5"	Stainless Steel Bottle Holders & Wine Glass Holders
Food Warming	47" x 21.5" x 33.5"	2 Hob Burners with Regulator
Live Cooking	47" x 21.5" x 33.5"	Hob Burner, Water Pan, Ceramic Trays and Sauce Bowls

### Available Laminates



Marble



Solid Black



Slate



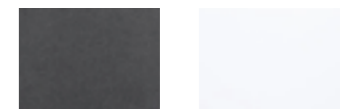
Oak



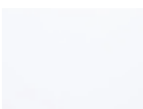
Grey



Pine



Charcoal

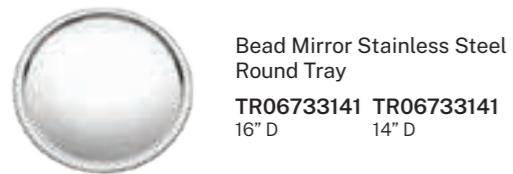


White



# ACCESSORIES

## Skyra Tray Collection



**Bead Mirror Stainless Steel Round Tray**  
**TR06733141 TR06733141**  
 16" D 14" D



**Basic Brushed Stainless Steel Bar Tray**  
**TR00902141**  
 15" D



**Gallery Etched Mirror Stainless Steel Round Tray**  
**TR12635141**  
 15" D



**Rose Copper Finish Round Tray with Gold Finish Handle**  
**TR04402SCP**  
 17" D



**Bead Etched Mirror Stainless Steel Round Tray with Handles**  
**TR09133141**  
 17" D

# ACCESSORIES

## Skyra Hydraulic Collection



**Glass Lid Mirror Finish Hydraulic Zahara Chafing Dish**  
**CD12641180 CD12640180**  
 5 L 8 L



**Glass Lid Mirror Finish Hydraulic Zahara Chafing Dish**  
**CD12643180**  
 15 D x 6 H



**Stainless Steel Round Food Pan**  
**FP14502141 FP14503141**  
 12.5 D x 3.5 H in 14.75 D x 4.25 H in  
 5 L 8 L



**Stainless Steel Round Food Pan**  
**FP12643180**  
 15 D x 6 H  
 4 L



**Divider Food Pan Mirror Stainless Steel (Set of 2 Pc - Fits only with CD12460141)**  
**FP12640141**  
 12.5 L x 6.5 W x 2 H in  
 2.5 L



# ACCESSORIES

## Skyra Burnt Copper Collection



Skyserv Hammered Burnt Copper Finish Dutch Oven with Food Pan

**ID14409BCP** 13 D x 4.5 H in  
6 L

**ID14408BCP** 10.5 D x 3.5 H in  
3 L



Skyserv Hammered Burnt Copper Finish Square Dutch Oven with Food Pan

**ID14406BCP**  
16 L x 12.5 W x 5.5 H in  
4 L



Skyserv Round Hammered Burnt Copper Finish Tagine with Food Pan

**ID14432BCP**  
12.5 D x 10 H in  
4 L



Skyserv Hammered Burnt Copper Finish Rectangular Dutch Oven with Food Pan

**ID14407BCP**  
19.75 L x 9.25 W x 6 H in  
4 L



Zahara Burnt Copper Hammered Finish Chafing Dish

**CD10013BCP** 15 D in  
9 Qt

**CD10012BCP** 13.5 D in  
5 L

**CD10611BCP**  
10 D in  
2.5 L



Matt Black Stand for Zahara Vintage Chafing Dish

**ST1001WRI** 8.25 D x 4 H in  
2.5 L

**ST1002WRI** 9 D x 4 H in  
5 L

**ST1003WRI**  
9.75 D x 4 H in  
8 L

# ACCESSORIES

## Skyra Burnt Copper Collection



Marrakech Hammered Burnt Copper Finish Samovar with WRI Stand

**CU04463BCP** 14 D x 27 H in  
16 L (100 Cup)

**CU04462BCP** 11 D x 23.5 H in  
7.5 L (50 Cup)



Marrakech Hammered Burnt Copper Finish Round Soup Tureen with Black Matt Stand

**ST04462BCP**  
9 D x 19 H in  
7 L



Marrakech Burnt Copper Hammered Oval Tub

**TU04401BCP**  
27.25 L x 18 W x 12.5 H  
50 L

## Skyra Queen Anne Collection



Queen Anne Mirror Stainless Steel Round Chafing Dish

**CD03601188** 11 D x 14 H in  
3.5 L

**CD03602188** 14 D x 16.5 H in  
6 L

**CD03604188** 16.5 D x 21 H in  
10 L

# ACCESSORIES

## Skyra Lotus Collection



Zahara Lotus Mirror  
Stainless Steel Chafing Dish  
CD12623180 CD12624180 CD12628180  
10 D in 13.5 D in 15 D in  
2.5 L 5 L 9 L



Gold Finish Stand for  
Zahara Chafing Dish  
ST12621BRS ST12622BRS ST12623BRS  
8.5 D x 4.5 H in 10 D x 6 H in 13.5 D x 7 H in

## Skyra Wynwood Collection



# ACCESSORIES

## Skyra Wynwood Collection



Wynwood Induction Ready Brushed  
Stainless Steel Chafing Dish with  
Insert & Wood Finished Accessories  
CD14502180 CD14503180  
12.75 D x 7.5 H in 15 D x 9 H in  
5 L 9 L



Wynwood Round Chafing  
Dish with Insert & Fuel Stand  
CD14522180 CD14523180  
12.75 D x 13.25 H in 15 D x 16 H in  
5 L 9 L



Wynwood Round Riser with  
Faux Wood Insert Extra Large  
RZ14509141  
16 D x 7.5 H in



GN1/1 Polycarbonate Roll Top Lid (Fits  
with RZ14505141 & WP14505141)  
CV14502  
21 L x 13 W x 5.5 H in



Wynwood Induction Ready Brushed  
Gold PVD Finish Chafing Dish with  
Insert & Wood Finished Accessories  
CD14502GPVD CD14503GPVD  
12.75 D x 7.5 H in 15 D x 9 H in  
5 L 9 L



Wynwood Induction Ready Brushed  
Rose Gold PVD Finish Chafing Dish with  
Insert & Wood Finished Accessories  
CD14502RGPVD CD14503RGPVD  
12.75 D x 7.5 H in 15 D x 9 H in  
5 L 9 L



Wynwood Induction Ready Brushed  
Titanium Black PVD Finish Chafing Dish  
with Insert & Wood Finished Accessories  
CD14502BPVD CD14503BPVD  
12.75 D x 7.5 H in 15 D x 9 H in  
5 L 9 L



Rectangular Induction with Stand  
for Warming & Cooking 2000 W  
ID14521141



Round Induction with  
Stand for Warming  
ID14522141



Wynwood GN1/1 Riser with Faux  
Wood Insert. (Does not include Lid)  
RZ14510141  
20.5 L x 12.5 W x 5.5 H in



Wynwood Brushed Gold PVD Finish  
Round Chafing Dish with Insert &  
Fuel Stand  
CD14522GPVD CD14523GPVD  
12.75 D x 13.25 H in 15 D x 16 H in  
5 L 9 L



Wynwood Brushed Rose Gold PVD  
Finish Round Chafing Dish with Insert  
& Fuel Stand  
CD14522RGPVD CD14523RGPVD  
12.75 D x 13.25 H in 15 D x 16 H in  
5 L 9 L



Wynwood Brushed Titanium Black  
PVD Finish Round Chafing Dish with  
Insert & Fuel Stand  
CD14522BPVD CD14523BPVD  
12.75 D x 13.25 H in 15 D x 16 H in  
5 L 9 L

# ACCESSORIES

## Skyra Rose Gold Collection



Heirloom Mirror Copper PVD Chafing Dish Rectangular with Gold Finish Stand  
**CD12608CPVD**  
18.5 L x 18.5 W x 16 H  
6 L



Heirloom Mirror Copper PVD Finish Chafing Dish Round with Gold Finish Stand  
**CD12607CPVD**  
18.5 L x 18.5 W x 16 H  
6 L



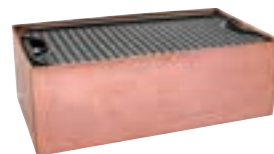
Skyserv Mirror Copper PVD Finish Dutch Oven with Food Pan  
**ID13828CPVD** **ID13829CPVD**  
10.5 D x 3.5 H in 13 D x 4.5 H in  
3 L 6 L



Skyserv Mirror Copper PVD Finish Tagine with Food Pan  
**ID13842CPVD**  
12.5 D x 10 H in  
4 L



Masala Hammered Mirror Copper PVD Finish Rectangular Live Cooking Station  
**TC09401CPVD**  
18 L x 11 W x 6.5 H in



Masala Hammered Mirror Copper PVD Finish Rectangular Live Griddle Station  
**ST09461CPVD**  
22 L x 11 W x 7 H



Masala Hammered Mirror Copper PVD Finish Samovar with WRI Stand  
**CU04462CPVD** **CU04463CPVD**  
11 D x 23.5 H in 14 D x 27 H in  
7.5 L (50 Cup) 16 L (100 Cup)

# ACCESSORIES

## Skyra Mirror Collection



Skyserv Hammered Mirror Stainless Steel Dutch Oven with Food Pan  
**ID13908180** **ID13909180**  
10.5 D x 3.5 H in 13 D x 4.5 H in  
3 L 6 L



Skyserv Hammered Mirror Finish Square Dutch Oven with Food Pan  
**ID13863180**  
16 L x 12.5 W x 5.5 H in  
4 L



Skyserv Hammered Mirror Stainless Steel Tagine with Food Pan  
**ID13832180**  
12.5 D x 10 H in  
4 L



Skyserv Hammered Mirror Finish Rectangular Dutch Oven with Food Pan  
**ID13862180**  
19.75 L x 9.25 W x 6 H in  
4 L



Meadow Mirror Steel Finish Chafing Dish  
**CD12172180** **CD12171180**  
18.5 D x 11.5 H in 15.5 D x 10.5 H in  
6 L 3 L



Saturn Mirror Stainless Steel Finish Chafing Dish with White Enamel Ring  
**CD14911180-W** **CD14912180-W**  
11 D x 12 H in 13.75 D x 12.5 H in  
3 L 6 L



Presidential Hammered Stainless Steel Rectangular Live Cooking Station  
**TC09401141**  
18 L x 11.25 W x 6 H in



Presidential Hammered Stainless Steel Rectangular Live Griddle Station with Griddle Plate  
**ST09461141**  
22 L x 11 W x 7 H in

# ACCESSORIES

## Skyra Titanium Collection



Skyserv Brushed Titanium Finish Dutch Oven with Food Pan  
**ID13828BPVD** 10.5 D x 3.5 H in 3 L  
**ID13829BPVD** 13 D x 4.5 H in 6 L



Skyserv Brushed Titanium Finish Dutch Oven with Food Pan  
**ID13828BPVD** 10.5 D x 3.5 H in 3 L  
**ID13829BPVD** 13 D x 4.5 H in 6 L



Skyserv Brushed Titanium Finish Tagine with Food Pan  
**ID13842BPVD** 12.5 D x 10 H in 4 L



Shanghai Mirror Black Titanium Finish Wok with Handle, Lid & Wood Finish Accessories  
**CD14703BPVD** 24.75 L x 14 W x 7.5 H in 4 L



Shanghai Mirror Black Titanium Finish Induction Chaffing Dish  
**CD14702BPVD** 11 D x 12 H in 3 L  
**CD14701BPVD** 13.5 D x 12 H in 6 L



Saturn Brushed Black Titanium PVD Finish Chaffing Dish with White Enamel Ring  
**CD14911BPVD-W** 11 D x 12 H in 3 L  
**CD14912BPVD-W** 13.5 D x 12 H in 6 L

## Skyra Accessories



Round Induction 220V  
**EB12604** 7 D x 3.25 H in



INDUCTION HOT POT DROP IN \*300X300MM PLASTIC BACK CRYSTAL PLATE  
**ID1260**



Adjustable Lid Holder Matt Black Finish  
**LH14701WRI** 16.25 L x 14 W x 17.7 H in



Adjustable Lid Holder Matt Gold Finish  
**LH14701GPC** 16.25 L x 14 W x 17.7 H in



Brushed Gold Finish Lid Holder  
**LH12604SBP** 13 L x 8.5 W x 23.5 H in



Adjustable Lid Holder Brushed Stainless Steel Finish  
**LH12604SBP** 16.25 L x 14 W x 17.7 H in

# ACCESSORIES

## Skyra Snack Warmers Collection



Hot Plate Wooden Base Snack Warmer with Sauce Bowls, Name Card & Tooth Pick Holder (Includes an extra Hot Plate)  
**SW12608ALU** 16 L x 10 W in



Queen Anne Silver Plated Round Snack Warmer Set  
**SW12621SSP** 19 L x 17 W x 10 H in



Transformer Modular Magnetic Matt Black Snack Warmer Set. Includes Tray, 2 Sauce Bowls, Tooth Pick Holder, Napkin Holder  
**SW12602BLK** 19.75 L x 9 W x 3.25 H in



Mini Bytes Brushed Stainless Steel U Display Snack Warmer Set with 8 Holders  
**SW1261514I**



Fat Free Matt Black Snack Warmer 2.0 Set w/SS Warmer Set, Ceramic Sauce Bowls & LED Lam  
**SW12605WRI**



Shanghai Mirror Black and Gold Finish Snack Warmer Set  
**SW1264114I**



Walk in the Garden Snack Warmer  
**SW1266114I**



Hanging Snack Warmer  
**SW12663GPVD**

# ACCESSORIES

## Skyra Minibytes Collection



MiniBytes Copper Finish Saute Pan  
**MB12620SCP**  
3.5 D x 0.75 H in  
100 ml



MiniBytes Brushed Stainless Steel Finish Saute Pan  
**MB12620141**  
3.5 D x 0.75 H in  
100 ml



MiniBytes Gold Finish Sauce Pan with Lid  
**MB12617SCP**  
3.25 D x 2.75 H in  
90 ml



Presidential Hammered Stainless Steel Induction Wok  
**BL09465180**   **BL09466180**  
14 D in   10 D in  
4.2 L



Presidential Hammered Stainless Steel Serving Spoon Large  
**SS09462188**  
10 L in



Waves Mirror Steel Finish Spoon Rest  
**SR12602141**  
13.25L x 4.50W x 2.75H



Presidential Hammered Stainless Steel Tong Large  
**TO09465188**   **TO09464188**  
9.75 L in   6.75 L in

## Skyra Platter Collection



# ACCESSORIES

## Skyra Platter Collection



Sensation Brushed Stainless Steel Ice Platter with Liner and Drain - Stainless Steel 14/1  
**PL09401141**  
42 L x 18 W x 9 H in



Heritage Stainless Steel Lotus Centerpiece  
**SL126021141**  
13.25 L x 13.25 W x 0.5 H in



Suite Mirror Stainless Steel Konno Bowl  
**KB10901141**   **KB10902141**  
10.5 L x 8 W x 2 H   16 L x 12.5 W x 3 H  
**KB10903141**  
13.5 L x 10.25 W x 2.5 H in



Masala Hammered Copper Finish Platter  
**KB10964SCP**   **KB10965SCP**  
10.5 L x 8 W x 2 H in   16 L x 12.5 W x 3 H in

## Skyra Baroque Collection



Baroque Mirror Stainless Steel Round Induction Handi  
**CD14108180**  
15 D X 9.5 H in  
8 L



Baroque Mirror Stainless Steel Round Burner Stand  
**BR14101141**  
10.6 D X 6.5 H in

## Skyra Riser Collection



# ACCESSORIES

## Skyra Riser Collection



Sticky Blocks Magnetic Brushed  
Stainless Steel Riser  
**RZ12604140**  
9.5 L x 4.5 W x 2.25 H in



Modular White Acrylic  
Rectangular Platform  
**ACR12602WHT**  
33 L x 7 W in



Modular White Acrylic 14  
in Round Platform  
**ACR12605WHT**  
14 D



Modular White Acrylic  
Square Platform  
**ACR12604WHT**  
14 L x 14 W in



Presidential Hammered Stainless  
Steel Pipe Riser medium  
**RZ09432188**      **RZ09433188**  
6 L x 6.75 W x 9 H in      7.5 L x 8 W x 11 H in

## Skyra Chalkboard Collection



# ACCESSORIES

## Skyra Chalkboard Collection



Vertical L-shaped A8 Table  
Chalk Board-Set of 5  
**TBA-BL-A8**



Mini Tripod Table Chalk  
board-Set of 3  
**MINI-B-KR**



Silhouette Mini Plate Table Chalk  
Board Set of 3 with Chalk Marker  
**FBT-PLATE-3**  
10L x 12W x 2H cm



Vertical L-shaped A6 Table  
Chalk Board-Set of 3  
**TBA-BL-A6**  
15.5X10.5X5Cm



Silhouette Cocktail Aluminum Base  
Table Chalk Board with Chalk Marker  
**FBTA-COCKTAIL**  
37L x 26W x 4H cm



Silhouette Tag Rectangle-  
Set of 5 with Chalk Marker  
**TAG-RECTANGLE-5**  
18L x 8W cm



Woody Teak Chalkboard  
20x40 cm with Chalk Marker  
**WBW-TE-20-40**  
20x40 cm



Woody Teak Chalkboard  
30x40 cm with Chalk Marker  
**WBW-TE-30-40**  
30x40 cm

## Skyra Chalkmarker Collection



Wallet Coloured 2-6mm Nib  
Medium Chalk Marker-Set of 8  
**SMA510-V8**  
14.5Lx 15Wx 2H cm



Wallet White 7-15mm Nib  
Large Chalk Marker-Set of 4  
**SMA720-V4-WT**  
16L x 11.5W x 3H cm



Wallet Coloured 7-15mm Nib  
Large Chalk Marker-Set of 4  
**SMA720-V4**  
16L x 11.5W x 3H cm

# ACCESSORIES

## Skyra Menu Cards Collection



Magnetic Black Leather Style  
Menu Holder with Megnetic Sides  
**MC-MGA4-BL**  
33x21.5x0.8cm



Design Leather Style A4 Menu Holder-  
Displays 4 A4 Pages-with 1 Double Inserts  
**MC-DRA4-CORK**  
34.5L x 24.5W x 1H cm

## Skyra Burner Collection



Industrial Pewter Finish  
Round Burner  
**BRN0004PTR BRN0005PTR**  
10.75 D in 13.5 D in



Crate Mirror Stainless Steel and Copper  
Trim Stackable Warm Riser with Grill  
**RZ1361TRC**  
10.5 L x 10.5 W x 4 H in



Crate Brushed Stainless Steel and  
Black Trim Warm Riser with Grill  
**RZ1361TRB**  
10.5 L x 10.5 W x 4 H in



Crate Black Finish Stainless Steel Warm  
Riser with Grill  
**RZ1363BLK**  
10.5 L x 10.5 W x 4 H in



Crate White Finish Stainless  
Steel Warm Riser with Grill  
**RZ1363WHT**  
10.5 L x 10.5 W x 4 H in

# ACCESSORIES

## Skyra Miroor Gold Finish Collection



Saturn Mirror Gold PVD Finish  
Chaffing Dish with White Enamel Ring  
**CD14911GPVD-W CD14912GPVD-W**  
11 D x 12 H in 13.75 D x 12.5 H in  
3 L 6 L



Saturn Brushed Gold PVD Finish  
Chaffing Dish with Mirror Gold Finish Ring  
**CD14911GPVD-G CD14912GPVD-G**  
11 D x 12 H in 13.75 D x 12.5 H in  
3 L 6 L



Queen Mary Brush Gold PVD Finish  
Chafing Dish  
**CD12141GPVD CD12142GPVD**  
12.5 D x 13 H in 14.5 D x 15 H in  
3 L 6 L



Waves Mirror Gold PVD Finish Chafing  
Dish  
**CD12101GPVD-G CD12102GPVD-G**  
11.5 D x 11.5 H in 14 D x 13 H in  
3 L 6 L

## Skyra Jaipur Collection



Jaipur Mirror Stainless Steel Finish  
Round Chafing Dish  
**CD13103188**  
20 D x 17.5 H in  
8 L



# ACCESSORIES

## Skyra Tea/ Coffee Collection



Monarch Mirror Stainless Steel Coffee Server  
**CP09401188**  
8.5 L x 4.5 W x 10 H in  
1 L



Manhattan Mirror Stainless Steel Double Wall Insulated Beverage Server  
**CP11507188**  
7 L x 4.25 D x 10 H  
1.4 L



Manhattan Mirror Stainless Steel Double Wall Insulated Beverage Server  
**CP11506188**  
7 L x 4.25 D x 11.5 H  
1.9 L



Manhattan Mirror Stainless Steel Double Wall Insulated Water Pitcher with Ice Guard  
**PI11301188**  
7 L x 4.25 D x 11.5 H  
1.9 L



Manhattan Mirror Stainless Steel Double Wall Insulated Beverage Server  
**CP11503188**  
6 L x 3.75 D x 9 H  
1 L



Manhattan Mirror Stainless Steel Double Wall Insulated Beverage Server  
**CP11502188**  
7 L x 4.25 D x 5.5 H  
480 ML



Manhattan Mirror Stainless Steel Double Wall Insulated Milk Pot  
**MU11501188**  
4 L x 2.5 D x 3 H  
150 ML



Manhattan Mirror Stainless Steel Double Wall Sugar Pot  
**SU11501188**  
3 D x 3 H  
150 ML

# ACCESSORIES

## Skyra Tea/ Coffee Collection



Curvo Matt Stainless Steel Double Wall Insulated Water Pitcher with Catcher  
**PI04503188**  
7.5 L x 5.5 D x 8 H  
1.5 L



Curvo Dual Polish Stainless Steel Double Wall Insulated Water Pitcher without Catcher  
**PI04504188**  
7.5 L x 5.5 D x 8 H  
1.6 L



Curvo Dual Polish Stainless Steel Sugar Stick Holder  
**SU04502188**  
2 L x 2 W x 2.5 H



Curvo Dual Polish Stainless Steel Milk Pot  
**MU04501188**  
4 L x 2.75 D x 4 H  
200 ML



Curvo Dual Polish Stainless Steel Beverage Server  
**TP04501188**  
4 L x 3 D x 5 H  
300 ML



Curvo Dual Polish Stainless Steel Beverage Server  
**CP04502188**  
7 L x 5 D x 9 H  
1.9 L

## Skyra White Finish Collection



Arabian Burnt Gold Finish Chafing Dish  
**CD12161BGP** **CD13103188**  
11.5 D x 19 H in 14 D x 22 H in  
3 L 6 L

## Skyra Bowl Collection



Moroccan Shallow Bowl Hammered Mirror Stainless Steel  
**BL12964188**  
12 D in



Moroccan Shallow Bowl Hammered Mirror Stainless Steel  
**BL12964SCP**  
12 D in



Moroccan Shallow Bowl Hammered Mirror Stainless Steel  
**BL12964BCP**  
12 D in

## Skyra Basket Collection



3839-Silver Monore Bread Basket  
**BB03001188**



SILVER WIRE BREAD BASKET OVAL SILVER  
**BB09401188**

*Make Skyra  
a part of your  
Design Team!*



## DESIGN AND CUSTOMISATION

### MENU DESIGN

---

Send us your new menu list and Skyra will propose innovative items to present your dishes. From our vast experience and library, we have a range of ideas for a la carte and buffet.

### SPATIAL PLANNING

---

Our experienced Design Team can help you plan the space with a range of live cooking stations and tabletop dishes.

### PRODUCT CUSTOMIZATION

---

Do you require customized products for your unique theme? Let us help you create that special presentation that fits perfectly with your vision.



Patents and Proprietary Designs  
 All product designs are registered by Skyra Professional Equipment  
 Any reproduction or imitation is forbidden by law.

Skyra Professional Equipment will not hesitate to take legal action against any infringement of patents or registered designs in order to fully protect its intellectual property.

The purchasing of imitation goods may also have legal implications. Design and technical information shown in this document is subject to copyright and may not be used by other parties without prior written approval from Skyra

## WARRANTY AND CLAIMS

### Installation, Warranties and Product Care

Skyra provides an installation service for all products that are sold unassembled. Specific Installation guides are available upon request. If required, a virtual discussion with a product expert can be scheduled as well. On-site installation or product training is also available on a chargeable basis. Please speak to your relationship manager regarding all requirements and charges.

Skyra items are warranted against any manufacturing defects. All manufacturing defects have a 30 calendar day warranty. The Buyer shall inspect the goods immediately upon delivery. Any report of defective product after 30 calendar days will not be entertained by SKYRA. In case of a defect reported within 30 calendar days, it may be approved at the sole discretion of SKYRA. If approved, it will be covered by rectification of the defective component only. The defective component or product will need to be submitted at an authorized Skyra service center and will be returned as per the original terms of delivery. Any defects due to general wear and tear or user negligence will not be covered under the Manufacturing Warranty.

Skyra does not provide a temporary replacement during the repair lead time. On-site repairs are available on a chargeable basis. Please speak to your relationship manager regarding all requirements and charges.

Skyra terms of delivery are ex-warehouse only. In case support on freight is required, Skyra can arrange delivery of the product through a nominated freight provider. This is an independent third party service provider of which Skyra does not cover liability. Therefore, Skyra does not warranty the delivery time and transit damage of the product.

### Maintenance

#### Table Surfaces

Any surface is vulnerable to stain and scratches. To prevent this, clean the surface with water, natural cleansers and a soft cloth immediately after use. Do not use any sort of scarpener or steel fleece which may lead to scratches or unwanted marks on the surface. Make sure to wipe down the surface next and leave no residue. Pack the tables in their storage carts to minimize natural wear.

#### Appliances

Skyra recommends wiping the equipment after every use. Clean the food contact surface with a soft damp cloth only. If required, add a small amount of natural cleanser to the damp cloth. Next wipe the damp surface with a soft dry cloth. Do not use any sort of scarpener or steel fleece which may lead to scratches or unwanted marks on the surface. Do not put soap or water on the vulnerable (mostly bottom and side) surfaces of the appliances. Make sure that all the appliances are unplugged before wiping them to avoid any mishap.

#### Stainless Steel Tableware

After using the products, always clean the product with a sponge or a towel. Use warm water and a gentle detergent. Tough stains like grease stains, discoloration, salt or lime marks can be removed by wiping the surface with soft cloth and 25% vinegar. Do not use any sort of scarpener or steel fleece which may lead to scratches or unwanted marks on the surface. Make sure to wipe down the surface next and leave no residue. Acidic substances like soaps containing citric acid should be avoided because of their pH value. If used over direct heat or flame, there will be a discoloration in the heat affected zones. Always ensure that water is filled in the Water Pan before placing Chafing Fuel Underneath.

#### Coated Products

PVD coated surfaces do not oxidize or tarnish. In order to delay the wear and tear as much as possible, handle the products utmost care especially during the washing cycle. Hand Wash with gentle soap and immediately wipe dry with a soft cloth. Store the products individually to avoid water marks and scratches.

If there is an appearance of dark spots (brought about by natural substances or potentially calcium stores because of adeficient washing/drying cycle), remove them by wiping off the surfaces with a delicate cloth dipped in lemon cleanser or vinegar. Assuming that the lemon cleanser or the vinegar are not adequate to eliminate especially stubborn spots, then, at that point only use a delicate cloth with a liquid metal polisher.

Always ensure that water is filled in the Water Pan before placing Chafing Fuel Underneath. If used over direct heat or flame, there will be a discoloration on the heat affected zones.

#### Do Not

1. Do not clean the surfaces with rough fabric or metal cleaning paste or abrasive sponges.
2. Do not use industrial detergent on the PVD surface or put it into a dishwasher.
3. Do not leave the product wet as permanent water marks may stain the surface.
4. Do not use Cotton Wheels with grit specification to buff the PVD surface.

If in doubt on any of the washing instructions, cross-check with your Skyra relationship manager.





[www.skyrapro.com](http://www.skyrapro.com)

Skyra Professional Equipment Pvt. Ltd.

Kh 312, Sultanpur Mandi Gaon Road,  
behind Kanishka Farm, New Delhi,  
Delhi 110030, India

E: [crm@skyra.in](mailto:crm@skyra.in) T: +91 97170 96908